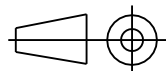
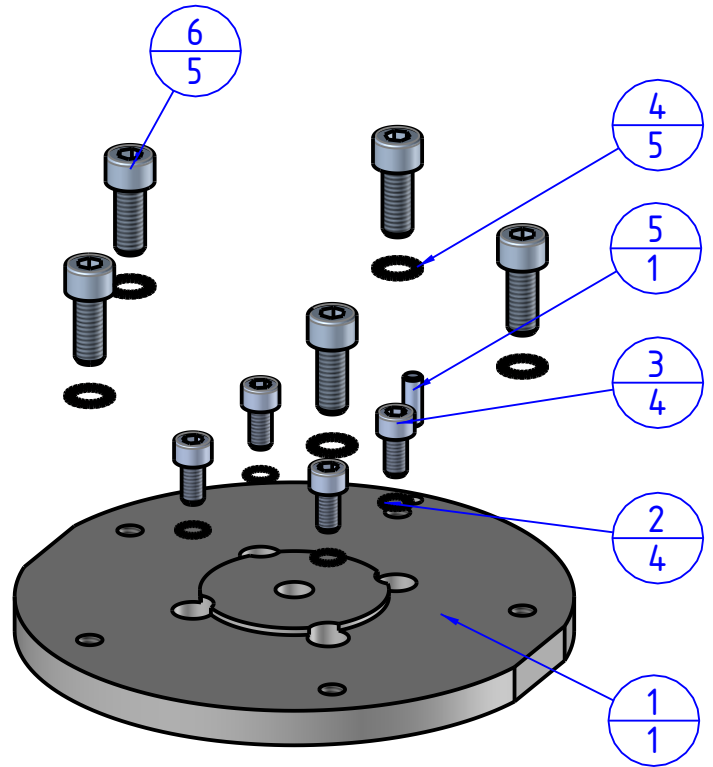
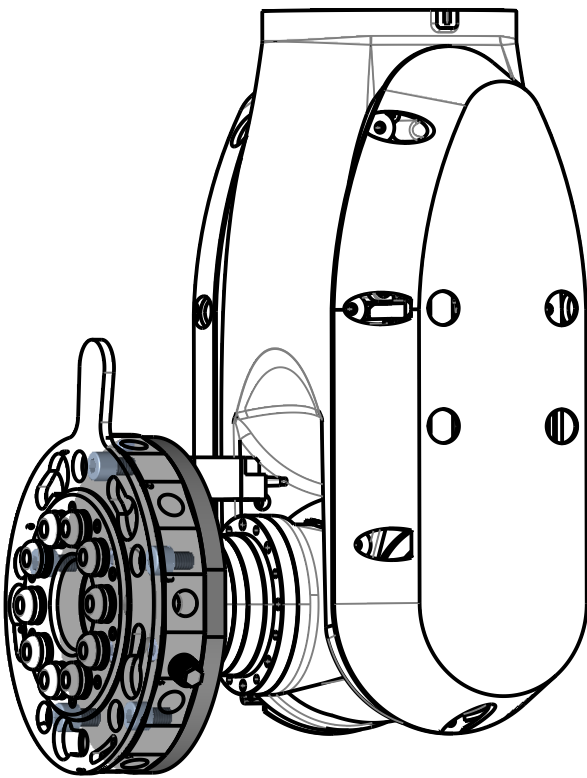
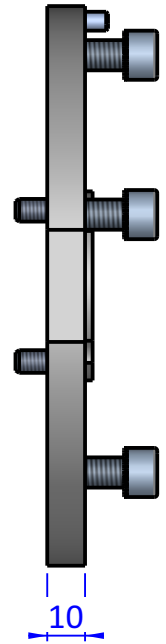
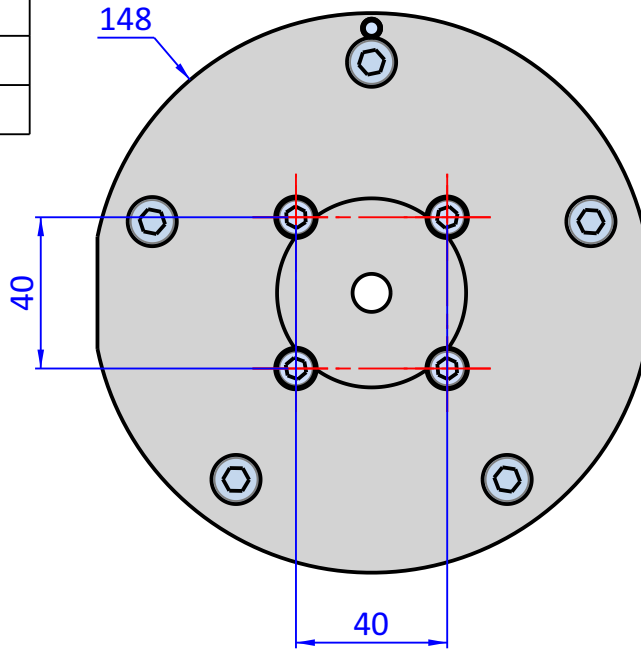


THE PROPERTY OF THE DRAWING IS ESTABLISHED BY LAW. IT IS FORBIDDEN TO PRODUCE OR SHOW IT TO THIRD PART, WITHOUT A WRITTEN AGREEMENT.

| Item | Name | Q.ty |
|------|-----------|------|
| 1 | CU.150.IB | 1 |
| 2 | R.6.SCH | 4 |
| 3 | V.TCE6x12 | 4 |
| 4 | R.8.SCH | 5 |
| 5 | SP.5x14 | 1 |
| 6 | V.TCE8x20 | 5 |



| | |
|----------------|--------|
| DESIGNED FROM | REVIEW |
| FPS Automation | A |

| | |
|------------|---------|
| DATE | WEIGHT |
| 11/02/2026 | 0,562kg |

| |
|--------------|
| CODE |
| CA.CU.150.IB |

| | |
|------------|----|
| Format | A4 |
| UNI 936-76 | |

| |
|-------------------|
| GENERAL TOLERANCE |
| UNI - ISO 2768 |
| CLASSE f |

| |
|--------------|
| DESCRIPTION |
| CA.CU.150.IB |